



潍柴船用发电机组

Marine Generating Sets

ООО "Вейчай-Рус Трейдинвест"

Центральное торгово-инвестиционное
представительство "Weichai Power" и
"Weichai Group" в России и СНГ:

Офис и склад запасных частей:
г. Смоленск, ул. Кашена 23, оф. 212
Тел: +7 (499) 703-22-65

Главный офис:
г. Минск, пр. Партизанский 178, офис 606
Тел: +375 (17) 346-22-90

[Http://www.weichairus.ru](http://www.weichairus.ru)

2013 | EP1-1000-WSH-BLD

全球领先 全系列 全领域动力提供商

GLOBAL LEADING FULL SERIES WHOLE FIELD ENGINE SUPPLIER

WWW.WEICHAIRUS.RU



目录 Catalogue

- | | | |
|---|--|----|
| 1 | 企业概况 Weichai Group Introduction | 1 |
| 2 | 产品介绍 Product Presentation | 3 |
| 3 | 船用高速发电机组 Marine High-speed Gen-sets | 7 |
| 4 | 船用中速发电机组 Marine Medium-speed Gen-sets | 17 |
| 5 | 船用应急发电机组 Marine Emergency Gen-sets | 21 |

企业概况 Weichai Group Introduction

潍柴创建于1946年，总部坐落于美丽的世界风筝之都——山东潍坊。集团在全球拥有员工5万余人，2011年实现营业收入983亿元，名列2011年中国企业500强第93位，中国制造业500强第35位，2011年中国机械工业500强第7位，中国机械工业百强企业第2位，是目前中国综合实力最强的汽车及装备制造集团之一。

潍柴集团是国内唯一同时拥有整车、动力总成、游艇和汽车零部件四大业务平台的企业，是一家跨领域、跨行业经营的国际化公司，分子公司遍及欧洲、北美、东南亚等地区，在中国山东、陕西、湖南、湖北、重庆、江苏、上海、北京等8省市设立了全资或控股子公司。潍柴集团在全国建立了由5000余家特约维修服务中心组成的服务网络，在海外建有150余家维修服务站，产品远销印度、越南、白俄罗斯、东盟、中东等130多个国家和地区。

“潍柴动力发动机”、“法士特变速器”、“汉德车桥”、“陕汽重卡”先后荣获“中国名牌产品”、“中国驰名商标”称号，共同形成了集团品牌集群效应，在国内重型卡车、客车、工程机械、船舶、发电设备等各细分配套市场均处于领先和主导地位。

潍柴集团发电设备公司是中国发电机组生产规模最大，历史最悠久，装备最先进，资源集成度最高的研发和生产制造基地。公司位于潍柴工业园内，公司总占地面积25200㎡，具备先进的产品研发及实验设备。潍柴年生产各类发电机组可达5万台以上，机组功率覆盖10~4300kw，使用潍柴集团自主研发生产的柴油机，配套知名品牌电机，目前在国防、通讯、石油、医疗、高原、铁路、野外救援、农牧业等领域已经有大量使用。

潍柴发电设备产品在国内同行业率先通过ISO9001质量管理体系认证，2004年通过国家通信专用发电机组认证，2005年通过了国家内燃机发电机组质量监督检验中心的高原认证和2007年通过德国莱茵中心的CE认证，2008年通过GJB9001A-2001国军标质量体系认证和2011年通过中国人民解放军装备承制资格证书。

潍柴发电设备公司，以领先的技术和创新意识，严谨的管理体系和健全的服务网络，不断为用户提供全方位的安全、高效、完备的电力解决方案！

Weichai, founded in 1946, is based in Weifang (Shandong Province, China). It is one of the most powerful manufacturing groups in automobile and equipment manufacturing industries in China. The Group boasts a total of 50,000 employees around the globe, and achieved total revenue of 98.3 billion RMB in 2011. It is ranked 93rd in the China Top 500 Enterprises, the 35th in the China Top 500 Manufacturers, and the 7th in the China Top 500 Machinery Enterprises and the 2nd in the Top 100 Machinery Manufacturers in 2011. It is one of the most powerful manufacturing groups in automobile and equipment manufacturing industries in China.

Weichai Group is the only enterprise that has the capacity to manufacture complete vehicles, powertrains, yachts and auto parts in China. It is an international group that operates in different fields and industries. Its constituent companies are scattered in Europe, North America and South East Asia. Domestically, it has subsidiary companies that are wholly owned by it or owned with majority holdings in 8 provinces and cities in Shandong, Shanxi, Hunan, Hubei, Chongqing, Jiangsu, Shanghai and Beijing. Weichai Group has set up a service network composed of more than 5000 special service centers in the country. At abroad, it has over 150 services centers as its products are sold in 130 plus countries and regions in the world, such as India, Vietnam, Belarus, ASEAN, and Middle East.

"Weichai Power Engines", "FAST Gear", "Hande Axle" and "Shaanxi Heavy Duty Truck" were consecutively awarded the title of "Famous Brands in China", "Renowned Trademarks in China", and together they form a cluster of famous brands of the Group. The individual subsidiaries take a leading or dominant role in the industries of heavy duty trucks, buses, construction machinery, ships, power generating facilities and the relevant markets.

Weichai Power Generation Co., with long history, advanced equipments, integrating Weichai Group elite resources, is the biggest R&D and manufacturing base of gen-sets. Company located in Weichai industrial park covers an area of 25200㎡, provided with advanced product research and laboratory equipments. Annual production of various types of gen-sets is more than 50000, power coverages 10~4300kw, matched by self-produced engines and famous alternators, currently widely used in the national defense, telecommunications, petroleum, medical, plateau, railway, wilderness rescue, agriculture and other fields.

Weichai Power Generation Co., took the lead to be certified by ISO9001 in China. Weichai gen-sets passed the national communication gen-sets certification in 2004, reached the plateau certification of the national internal combustion and quality supervision center in 2005, passed the Germany CE certification of Rhine center in 2007, the military standard quality system certification GJB9001A-2001 in 2008, and got the national equipment certification by the Chinese People's Liberation Army in 2011.

Weichai Power Generation Co., with leading technology and innovation consciousness, strict management system and perfect service network, continuously provides the full range of safe, efficient and perfect power solutions.

认证 Certificates



中国船检CCS
China Shipping Inspector CCS

中国渔检ZY
China Fishing Inspection ZY

法国船检BV
France Shipping Inspection BV

军工产品认证
Authentication of Military Products



意大利船检RINA
Italia Shipping Inspector RINA

俄罗斯船检RS
Russia Shipping Inspection RS

德国船检GL
Germany Shipping Inspection GL

国际防止空气污染证书
International Air Pollution Prevention Certificate



WEICHAI Power Generation

WEICHAI Power Generation

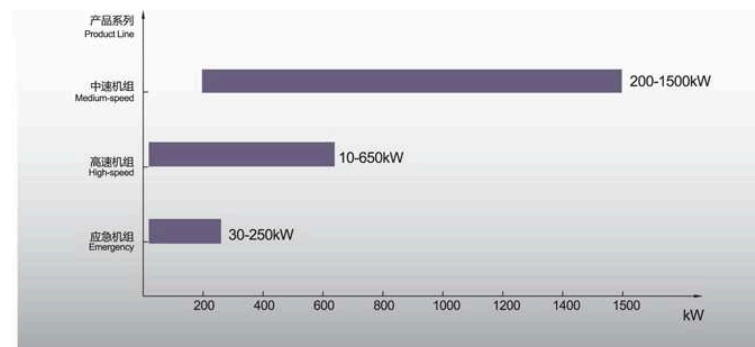


产品介绍 Product Presentation

潍柴船用发电机组从用途上分为主发电机组和应急发电机组，主发电机组功率范围为10~1500kW，应急发电机组功率范围为30-250kW。主发电机组从转速上又分为船用高速柴油发电机组和船用中速柴油发电机组，潍柴船用高速柴油发电机组功率范围为10~650kW，潍柴船用中速柴油发电机组功率范围为200~1500kW。

Weichai marine generating sets are widely used as main marine generating sets and marine emergency generating sets. Power range of main marine diesel generating sets is from 10~1500kW. Power range of marine emergency diesel generating sets is from 30~250kW. According to the speed, the main units are divided into high-speed marine diesel generating sets and marine medium speed diesel generating sets, their power ranges are respectively 10~650kW and 200~1500kW.

产品系列 Product Lines



产品特点 Product Characteristics

潍柴船用发电机组专注于各类船舶的人性化服务，具有调压精度高、动态性能好，外型美观，结构紧凑，工作可靠，使用寿命长，油耗低，噪声低，排放低，环境适应性强，并在恶劣环境条件下作业等特点，很好的满足了各种船舶对电力的要求。

机组能够实现远程监控和输出报警点信号等功能，能够满足国内外各种船级社的要求：CCS、ZY、BV、RINA、GL、RS、KR等，并提供相应船检证书。

Weichai marine generating sets focus on the human service of various ships, with high precision of voltage regulation, excellent dynamic performance, good looks, compact structure, reliable function, long life, low fuel consumption, low noise, low emissions, strong adaptability, can adapt to environmental changes, work in harsh conditions, and meet the power requirements of various ships.

Marine generating sets can implement remote monitoring and warning signal output functions and meet the demands of all kinds of classification societies, such as CCS, ZY, BV, RINA, GL, RS and KR certificates can be supplied.

产品应用 Product Application

潍柴船用发电机组性能优良，技术先进，工作可靠，维护方便，现已在各类军舰，游艇，旅游船，工程船，渔船，油船、化学品船、沥青船、集装箱、散货船等运输船，海洋石油平台上都有大量应用。

Weichai Marine generating sets, with excellent performance, advanced technology, reliable, easy maintenance, Weichai marine generating sets are widely in various yachts, cruise ships, work boats, fishing boats, Oil tanker, chemical boat, asphalt ship, container ship, bulk ship etc. and sea petroleum platform.





船用高速发电机组 Marine High-speed Gen-sets

潍柴船用高速发电机组转速为1500rpm/1800rpm，功率范围为10~650kW，发电机组使用潍柴集团自主研发生产的高速柴油发动机，可配套国内外知名品牌发电机。机组的制造、试验执行GB/T13032-2010《船用柴油发电机组通用技术条件》。

The speed of Weichai marine high-speed Gen-sets is 1500rpm/1800rpm, the power range is 10-650kW. The Gen-sets is used the high-speed engine researched, developed & manufactured by Weichai Group independently, the optional brand name alternator can be provided. All Gen-sets' manufacturing & testing is carried out the optional brand name alternator can be provided as per GB/T13032-2010 Marine Diesel Gen-sets General Technique Requirements.

产品特点 Product Characteristics

- 燃油经济性好，燃油消耗率曲线变化平坦，发电的综合成本低；
- 结构紧凑，外形美观，利于舱内布置；
- 全面满足国际排放法规，可达IMO II阶段排放要求；
- 采用复合式镀铬减震器，机组振动小，噪音低；
- 采用整体冲压设计的船舶专用平底油底壳，同时合理布置加强筋，提高刚度，表面无焊缝，一次成型，杜绝渗漏故障，提高可靠性；
- 柴油机旋转部件处均安装有防护罩，发电机的防护等级为IP23，绝缘等级为H级，机组操作安全可靠；
- 船用仪表盘操作简单、性能可靠。既可对机组转速、油压、水温等参数进行显示和保护，又可对发电机组进行控制和操作。
 - Good fuel economy, flat curve of fuel consumption change, low generating cost.
 - Compact structure, good appearance, conducive to the cabin layout.
 - Gen-sets meet the international emission standards and the requirement of the IMO II stage.
 - Use complex type of chromium plating shock absorber to lead to the small vibration and low noise of gen-sets.
 - Use whole pressing design flat oil pan specialized for ships, and meanwhile reasonably install stiffening ribs to enhance rigidity. No welding seam in its surface, one-step molding technology to stop leaking failure and increase reliability.
 - There are protective hoods installed in all rotating components of engine. The protection grade of generators is IP23 and insulation grade is H to make Gen-sets operation safe and reliable.
 - Easy to operate marine instrument box and its performance is reliable. Not only display and protect the parameters like Gen-sets speed, oil pressure, water temperature, but also control and operate the Gen-sets.



仪表盘
Instrument box



防护罩
Protective hood



复合式减震器
Complex of shock absorber



平底油底壳
Flat bottomed pan

高速系列产品16-30kW High-speed Series 16-30kW



CCFJ16J-W*

柴油机品牌：潍柴动力
Engine Brand: Weichai Power
柴油机型号：WP2.5CD22E1
Engine Model: WP2.5CD22E1
额定功率：22kW
Rated power: 22kW
调速方式：机械调速
Speed mode: Mechanical governor
最低燃油消耗率：200 g/kW.h
Minimum fuel consumption ratio: 200 g/kW.h
柴油机缸数：4
Engine no. of cylinder: 4
缸径×行程：85×92 mm
Bore × stroke: 85 × 92 mm
冷却方式：双循环水冷
Cooling method: Dual-circulate water-cooling



CCFJ24J-W*

柴油机品牌：潍柴动力
Engine Brand: Weichai Power
柴油机型号：WP3.8CD33E1
Engine Model: WP3.8CD33E1
额定功率：33kW
Rated power: 33kW
调速方式：机械调速
Speed mode: Mechanical governor
最低燃油消耗率：200 g/kW.h
Minimum fuel consumption ratio: 200 g/kW.h
柴油机缸数：4
Engine no. of cylinder: 4
缸径×行程：102×118 mm
Bore × stroke: 102 × 118 mm
冷却方式：双循环水冷
Cooling method: Dual-circulate water-cooling



CCFJ30J-W*

柴油机品牌：潍柴动力
Engine Brand: Weichai Power
柴油机型号：WP4.3CD38E1
Engine Model: WP4.3CD38E1
额定功率：38kW
Rated power: 38kW
调速方式：机械调速
Speed mode: Mechanical governor
最低燃油消耗率：200 g/kW.h
Minimum fuel consumption ratio: 200 g/kW.h
柴油机缸数：4
Engine no. of cylinder: 4
缸径×行程：105×118 mm
Bore × stroke: 105 × 118 mm
冷却方式：双循环水冷
Cooling method: Dual-circulate water-cooling



高速系列产品24-50kW

High-speed Series 24-50kW



CCFJ24J-W*

柴油机型牌：潍柴动力
Engine Brand: Weichai Power
柴油机型号：D226B-3CD
Engine Model: D226B-3CD
额定功率：30kW
Rated power: 30kW
调速方式：机械调速
Speed mode: Mechanical governor
最低燃油消耗率：197 g/kW.h
Minimum fuel consumption ratio: 197 g/kW.h
柴油缸数：3
Engine no. of cylinder: 3
缸径 × 行程：105x120 mm
Bore × stroke: 105x120 mm
冷却方式：双循环水冷
Cooling method: Dual-circulate water-cooling



CCFJ30J-W*

柴油机型牌：潍柴动力
Engine Brand: Weichai Power
柴油机型号：TD226B-3CD
Engine Model: TD226B-3CD
额定功率：40kW
Rated power: 40kW
调速方式：机械调速
Speed mode: Mechanical governor
最低燃油消耗率：197 g/kW.h
Minimum fuel consumption ratio: 197 g/kW.h
柴油缸数：3
Engine no. of cylinder: 3
缸径 × 行程：105x120 mm
Bore × stroke: 105x120 mm
冷却方式：双循环水冷
Cooling method: Dual-circulate water-cooling



CCFJ50J-W*

柴油机型牌：潍柴动力
Engine Brand: Weichai Power
柴油机型号：TD226B-4CD1
Engine Model: TD226B-4CD1
额定功率：60 kW
Rated power: 60 kW
调速方式：机械调速
Speed mode: Mechanical governor
最低燃油消耗率：197 g/kW.h
Minimum fuel consumption ratio: 197 g/kW.h
柴油缸数：4
Engine no. of cylinder: 4
缸径 × 行程：105x130 mm
Bore × stroke: 105x130 mm
冷却方式：双循环水冷
Cooling method: Dual-circulate water-cooling

高速系列产品75-180kW

High-speed Series 75-180kW



CCFJ75J-W*

柴油机型牌：潍柴动力
Engine Brand: Weichai Power
柴油机型号：TD226B-6CD
Engine Model: TD226B-6CD
额定功率：90 kW
Rated power: 90 kW
调速方式：机械调速
Speed mode: Mechanical governor
最低燃油消耗率：197 g/kW.h
Minimum fuel consumption ratio: 197 g/kW.h
柴油缸数：6
Engine no. of cylinder: 6
缸径 × 行程：105x120 mm
Bore × stroke: 105x120 mm
冷却方式：双循环水冷
Cooling method: Dual-circulate water-cooling



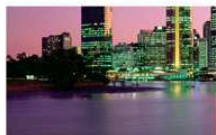
CCFJ120J-W*

柴油机型牌：潍柴动力
Engine Brand: Weichai Power
柴油机型号：WP6CD132-15
Engine Model: WP6CD132-15
额定功率：132 kW
Rated power: 132 kW
调速方式：电子调速
Speed mode: Electronic governor
最低燃油消耗率：197 g/kW.h
Minimum fuel consumption ratio: 197 g/kW.h
柴油缸数：6
Engine no. of cylinder: 6
缸径 × 行程：105x130 mm
Bore × stroke: 105x130 mm
冷却方式：双循环水冷
Cooling method: Dual-circulate water-cooling



CCFJ180J-W*

柴油机型牌：潍柴动力
Engine Brand: Weichai Power
柴油机型号：WD615.46CD
Engine Model: WD615.46CD
额定功率：204 kW
Rated power: 204 kW
调速方式：电子调速
Speed mode: Electronic governor
最低燃油消耗率：197 g/kW.h
Minimum fuel consumption ratio: 197 g/kW.h
柴油缸数：6
Engine no. of cylinder: 6
缸径 × 行程：126x130 mm
Bore × stroke: 126x130 mm
冷却方式：双循环水冷
Cooling method: Dual-circulate water-cooling



高速系列产品200-300kW

High-speed series 200-300kW



CCFJ220J-W*

柴油机品牌: 潍柴动力
Engine Brand: Weichai Power
柴油机型号: WP12CD255E201
Engine Model: WP12CD255E201
额定功率: 255 kW
Rated power: 255 kW
调速方式: 电子调速
Speed mode: Electronic governor
最低燃油消耗率: 197 g/kW.h
Minimum fuel consumption ratio: 197 g/kW.h
柴油机缸数: 6
Engine no. of cylinder: 6
缸径 × 行程: 126x155 mm
Bore x stroke: 126x155 mm
冷却方式: 双循环水冷
Cooling method: Dual-circulate water-cooling



CCFJ250J-W*

柴油机品牌: 潍柴动力
Engine Brand: Weichai Power
柴油机型号: WP12CD290E201
Engine Model: WP12CD290E201
额定功率: 290 kW
Rated power: 290 kW
调速方式: 电子调速
Speed mode: Electronic governor
最低燃油消耗率: 195 g/kW.h
Minimum fuel consumption ratio: 195 g/kW.h
柴油机缸数: 6
Engine no. of cylinder: 6
缸径 × 行程: 126x155 mm
Bore x stroke: 126x155 mm
冷却方式: 双循环水冷
Cooling method: Dual-circulate water-cooling



CCFJ300J-W*

柴油机品牌: 潍柴动力
Engine Brand: Weichai Power
柴油机型号: WP12CD330E210
Engine Model: WP12CD330E210
额定功率: 330 kW
Rated power: 330 kW
调速方式: 高压共轨电控
Speed mode: High pressure common rail
最低燃油消耗率: 190 g/kW.h
Minimum fuel consumption ratio: 190 g/kW.h
柴油机缸数: 6
Engine no. of cylinder: 6
缸径 × 行程: 126x155 mm
Bore x stroke: 126x155 mm
冷却方式: 双循环水冷
Cooling method: Dual-circulate water-cooling

高速系列产品400-650kW

High-speed Series 400-650kW



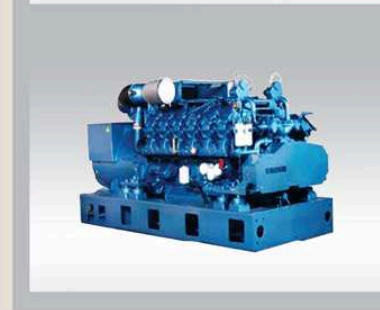
CCFJ400J-W*

柴油机品牌: 潍柴动力
Engine Brand: Weichai Power
柴油机型号: X6170ZC-21
Engine Model: X6170ZC-21
额定功率: 441 kW
Rated power: 441 kW
额定转速: 1500r/min
Rated speed: 1500r/min
调速方式: 机械调速
Speed mode: Mechanical governor
最低燃油消耗率: 197 g/kW.h
Minimum fuel consumption ratio: 197 g/kW.h
柴油机缸数: 6
Engine no. of cylinder: 6
缸径 × 行程: 170x200 mm
Bore x stroke: 170x200 mm
冷却方式: 双循环水冷
Cooling method: Dual-circulate water-cooling



CCFJ500J-W*

柴油机品牌: 潍柴动力
Diesel Brand: Weichai Power
柴油机型号: 8170ZCD600-4
Diesel Model: 8170ZCD600-4
额定功率: 600 kW
Rated power: 600 kW
额定转速: 1500r/min
Rated speed: 1500r/min
调速方式: 电子调速
Speed mode: Electronic governor
最低燃油消耗率: 197 g/kW.h
Minimum fuel consumption ratio: 197 g/kW.h
柴油机缸数: 8
Engine no. of cylinder: 8
缸径 × 行程: 170x200 mm
Bore x stroke: 170x200 mm
冷却方式: 双循环水冷
Cooling method: Dual-circulate water-cooling



CCFJ650J-W*

柴油机品牌: 博世安
Engine Brand: Baudouin
柴油机型号: 12M26
Engine Model: 12M26
额定功率: 710 kW
Rated power: 710 kW
额定转速: 1500r/min
Rated speed: 1500r/min
调速方式: 电子调速
Speed mode: Electronic governor
最低燃油消耗率: 195 g/kW.h
Minimum fuel consumption ratio: 195 g/kW.h
柴油机缸数: 12V
Engine no. of cylinder: 12V
缸径 × 行程: 150x150 mm
Bore x stroke: 150x150 mm
冷却方式: 双循环水冷
Cooling method: Dual-circulate water-cooling

船用高速发电机组型谱

Model lists of Marine High-speed Gen-sets

| 额定功率 Rated power | 机组型号 Model | 额定电压 Rated current | 额定电流 Rated current | 额定负载 燃油耗 Rated fuel consumption ratio | 发动机 Engine | | | | | | |
|---------------------|---------------|-----------------------|-----------------------|--|---------------|---------------------|---------------------|--------------------|----------------------|--------------------|----------------------|
| | | | | | 型号 Model | 额定功率 Rated power | 额定转速 Rated speed | 缸数 Cyls/r/turns | 缸径*行程 Bore*stroke | 排量 Displacement | 机油容量 Oil capacity |
| kW | | V | A | L/h | | kW | r/min | | mm | L | L |
| 10 | CCFJ10J-W* | 400/230 | 18 | 2.4 | WP2.1CD18E1 | 17.5 | 1500 | 4 | 85 × 92 | 2.088 | 5 |
| 12 | CCFJ12J-W* | 400/230 | 22 | 2.9 | WP2.1CD18E1 | 17.5 | 1500 | 4 | 85 × 92 | 2.088 | 5 |
| 16 | CCFJ16J-W* | 400/230 | 29 | 3.9 | WP2.5CD22E1 | 22 | 1500 | 4 | 90 × 100 | 2.540 | 5 |
| 20 | CCFJ20J-W* | 400/230 | 36 | 4.9 | WP3.9CD33E1 | 33.3 | 1500 | 4 | 102 × 118 | 3.860 | 6 |
| 25 | CCFJ24J-W* | 400/230 | 43.2 | 6.1 | WP3.9CD33E1 | 33.3 | 1500 | 4 | 102 × 118 | 3.860 | 6 |
| 30 | CCFJ30J-W* | 400/230 | 54 | 7.4 | WP4.3CD38E1 | 38 | 1500 | 4 | 105 × 118 | 4.327 | 6 |
| 34 | ●CCFJ34J-W* | 400/230 | 61 | 8.4 | YZ4108CD | 44 | 1500 | 4 | 108 × 125 | 4.580 | 6 |
| 40 | ●CCFJ40J-W* | 400/230 | 72 | 9.8 | YZ4108ZCD | 57 | 1500 | 4 | 108 × 125 | 4.580 | 6 |
| 48 | ●CCFJ48J-W* | 400/230 | 87 | 11.8 | YZ4108ZCD | 57 | 1500 | 4 | 108 × 125 | 4.580 | 6 |
| 50 | ●CCFJ50J-W* | 400/230 | 90 | 12.3 | YZ4108ZLC | 66 | 1500 | 4 | 108 × 125 | 4.580 | 6 |
| 24 | CCFJ24J-W* | 400/230 | 43.5 | 5.5 | D226B-3CD | 30 | 1500 | 3 | 105 × 120 | 3.12 | 7.25 |
| 30 | CCFJ30J-W* | 400/230 | 54 | 6.9 | TD226B-3CD | 40 | 1500 | 3 | 105 × 120 | 3.12 | 7.25 |
| 40 | CCFJ40J-W* | 400/230 | 72 | 9.2 | TD226B-4CD | 60 | 1500 | 4 | 105 × 120 | 4.16 | 9 |
| 40 | ★CCFJ40J-W* | 400/230 | 72 | 9.1 | WP4CD60-15 | 60 | 1500 | 4 | 105 × 130 | 4.5 | 13 |
| 50 | CCFJ50J-W* | 400/230 | 90 | 11.5 | TD226B-4CD | 60 | 1500 | 4 | 105 × 120 | 4.16 | 9 |
| 50 | ★CCFJ50J-W* | 400/230 | 90 | 11.2 | WP4CD60-15 | 60 | 1500 | 4 | 105 × 130 | 4.5 | 13 |
| 64 | CCFJ64J-W* | 400/230 | 115 | 14.8 | TD226B-6CD | 90 | 1500 | 6 | 105 × 120 | 6.23 | 13 |
| 64 | ★CCFJ64J-W* | 400/230 | 115 | 14.5 | WP4CD75-15 | 75 | 1500 | 4 | 105 × 130 | 4.5 | 13 |
| 64 | ★CCFJ64J-W* | 400/230 | 115 | 14.8 | WP6CD90-15 | 90 | 1500 | 4 | 105 × 130 | 6.75 | 18 |
| 75 | CCFJ75J-W* | 400/230 | 135 | 17.3 | TD226B-6CD | 90 | 1500 | 6 | 105 × 120 | 6.23 | 13 |
| 75 | ★CCFJ75J-W* | 400/230 | 135 | 17 | WP6CD90-15 | 90 | 1500 | 6 | 105 × 130 | 6.75 | 18 |
| 90 | CCFJ90J-W* | 400/230 | 163 | 20.8 | TBD226B-6CD1 | 120 | 1500 | 6 | 105 × 120 | 6.23 | 13 |
| 90 | ★CCFJ90J-W* | 400/230 | 162 | 20.5 | WP6CD120-15 | 120 | 1500 | 6 | 105 × 130 | 6.75 | 18 |
| 100 | CCFJ100J-W* | 400/230 | 181 | 23.1 | TBD226B-6CD1 | 120 | 1500 | 6 | 105 × 120 | 6.23 | 13 |
| 100 | ★CCFJ100J-W* | 400/230 | 181 | 22.5 | WP6CD120-15 | 120 | 1500 | 6 | 105 × 130 | 6.75 | 18 |
| 120 | CCFJ120J-W* | 400/230 | 217 | 27.8 | WP6CD132E10 | 132 | 1500 | 6 | 105 × 130 | 6.75 | 13 |

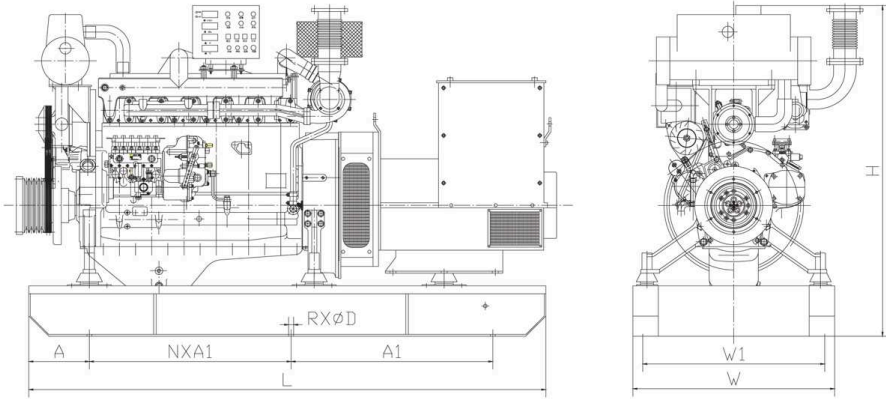
| 额定功率 Rated power | 机组型号 Model | 额定电压 Rated current | 额定电流 Rated current | 额定负载 燃油耗 Rated fuel consumption ratio | 发动机 Engine | | | | | | |
|---------------------|-------------------------|-----------------------|-----------------------|--|---------------|---------------------|---------------------|--------------------|----------------------|--------------------|----------------------|
| | | | | | 型号 Model | 额定功率 Rated power | 额定转速 Rated speed | 缸数 Cyls/r/turns | 缸径*行程 Bore*stroke | 排量 Displacement | 机油容量 Oil capacity |
| kW | | V | A | L/h | | kW | r/min | | mm | L | L |
| 120 | CCFJ120J-W* | 400/230 | 217 | 27.6 | WD615.67CD | 138 | 1500 | 6 | 126X130 | 9.726 | 19 |
| 150 | CCFJ150J-W* | 400/230 | 271 | 34.5 | WD615.68CD | 170 | 1500 | 6 | 126X130 | 9.726 | 19 |
| 150 | ★CCFJ150J-W* | 400/230 | 271 | 34.1 | WP10CD170E201 | 170 | 1500 | 6 | 126X130 | 9.726 | 19 |
| 180 | CCFJ180J-W* | 400/230 | 325 | 41 | WD615.46CD | 204 | 1500 | 6 | 126X130 | 9.726 | 19 |
| 180 | ★CCFJ180J-W* | 400/230 | 325 | 41 | WP10CD204E201 | 204 | 1500 | 6 | 126X130 | 9.726 | 19 |
| 200 | CCFJ200J-W* | 400/230 | 361 | 46.1 | WD618.42CD | 235 | 1500 | 6 | 126X155 | 11.596 | 23 |
| 200 | CCFJ200J-W ¹ | 400/230 | 361 | 46.1 | WP12CD235E201 | 235 | 1500 | 6 | 126X155 | 11.596 | 23 |
| 200 | ●CCFJ200J-W* | 400/230 | 361 | 45.5 | WP10CD235E201 | 235 | 1500 | 6 | 126X130 | 9.726 | 19 |
| 220 | CCFJ220J-W* | 400/230 | 397 | 50.7 | WP12CD255E201 | 255 | 1500 | 6 | 126X155 | 11.596 | 23 |
| 250 | CCFJ250J-W* | 400/230 | 451 | 57.6 | WP12CD290E201 | 290 | 1500 | 6 | 126X155 | 11.596 | 25 |
| 260 | CCFJ260J-W* | 400/230 | 469 | 60 | WP12CD290E201 | 290 | 1500 | 6 | 126X155 | 11.596 | 25 |
| 280 | CCFJ280J-W* | 400/230 | 505 | 64.5 | WP12CD330E201 | 330 | 1500 | 6 | 126X155 | 11.596 | 25 |
| 300 | CCFJ300J-W* | 400/230 | 541 | 69.1 | WP12CD330E201 | 330 | 1500 | 6 | 126X155 | 11.596 | 25 |
| 300 | CCFJ300J-W* | 400/230 | 541 | 69.1 | WP13CD350E20D | 350 | 1500 | 6 | 127X165 | 12.54 | 36 |
| 280 | CCFJ280J-W* | 400/230 | 505 | 64.5 | 6M26 | 355 | 1500 | 6 | 150X150 | 15.9 | 50 |
| 300 | CCFJ300J-W* | 400/230 | 541 | 76.5 | 6M26 | 355 | 1500 | 6 | 150 × 150 | 15.9 | 50 |
| 320 | CCFJ320J-W* | 400/230 | 576 | 81.6 | 6M26 | 355 | 1500 | 6 | 150 × 150 | 15.9 | 50 |
| 350 | CCFJ350J-W* | 400/230 | 631 | 89.25 | 6M26 | 440 | 1500 | 6 | 150 × 150 | 15.9 | 50 |
| 350 | CCFJ350J-W* | 400/230 | 631 | 89.25 | 8M26 | 425 | 1500 | 8V | 150 × 150 | 21.2 | 72 |
| 380 | CCFJ380J-W* | 400/230 | 685 | 96.9 | 8M26 | 425 | 1500 | 8V | 150 × 150 | 21.2 | 72 |
| 400 | CCFJ400J-W* | 400/230 | 721 | 96.9 | 6M26 | 440 | 1500 | 6 | 150 × 150 | 15.9 | 50 |
| 500 | CCFJ500J-W* | 400/230 | 902 | 127.5 | 12M26 | 661 | 1500 | 12V | 150 × 150 | 31.8 | 113 |
| 550 | CCFJ550J-W* | 400/230 | 992 | 140 | 12M26 | 661 | 1500 | 12V | 150 × 150 | 31.8 | 113 |
| 600 | CCFJ600J-W* | 400/230 | 1083 | 153 | 12M26 | 710 | 1500 | 12V | 150 × 150 | 31.8 | 113 |
| 650 | CCFJ650J-W* | 400/230 | 1173 | 165 | 12M26 | 710 | 1500 | 12V | 150 × 150 | 31.8 | 113 |
| 350 | CCFJ350J-W* | 400/230 | 631 | 82.3 | X6170ZD-23 | 390 | 1500 | 6 | 170 × 200 | 27.24 | 65 |
| 400 | CCFJ400J-W* | 400/230 | 722 | 92.7 | X6170ZC-21 | 456 | 1500 | 6 | 170/200 | 27.24 | 65 |
| 500 | CCFJ500J-W* | 400/230 | 902 | 115.8 | X8170ZCD600-4 | 600 | 1500 | 8 | 170/200 | 36.32 | 80 |
| 600 | CCFJ600J-W* | 400/230 | 1083 | 139 | 8170ZCD660-4 | 660 | 1500 | 8 | 170/200 | 36.32 | 80 |

*为电机代号, 本表所列的船用发电机组为50Hz/1500rpm (根据客户要求, 可提供60Hz船用发电机组); ★为同功率中主推产品, 2013年将全部切换成该型号, 建议设计单位在预选型时选用此款产品; ●为开发中新产品。

* Alternator code, the frequency of generating set listed in this table is 50Hz(60Hz generating sets could be provided on request); ★ indicates the recommended model among the same power ones, all of which shall be switched to the recommended model in 2013.weichai suggests that the designing unit Choose this model. ● indicates the products being developed.

船用高速发电机组外形尺寸图

Overall dimensions of Marine High-speed Gen-sets



| 型号 Model | 外形尺寸 Overall dimension | | | A | A1 | N | W1 | R | D | 净重 Weight |
|-------------|---------------------------|---------|---------|-----|-----|---|-----|---|----|--------------|
| | L mm | W mm | H mm | | | | | | | |
| CCFJ10J-W* | 1318 | 640 | 1137 | 120 | 540 | 1 | 570 | 4 | 19 | 421 |
| CCFJ12J-W* | 1318 | 640 | 1137 | 120 | 540 | 1 | 570 | 4 | 19 | 467 |
| CCFJ16J-W* | 1318 | 640 | 1137 | 120 | 540 | 1 | 570 | 4 | 19 | 467 |
| CCFJ20J-W* | 1368 | 640 | 1187 | 120 | 540 | 1 | 570 | 4 | 19 | 480 |
| CCFJ25J-W* | 1368 | 640 | 1187 | 120 | 540 | 1 | 570 | 4 | 19 | 490 |
| CCFJ30J-W* | 1368 | 640 | 1187 | 120 | 540 | 1 | 570 | 4 | 19 | 500 |
| ●CCFJ34J-W* | / | / | / | / | / | / | / | / | / | / |
| ●CCFJ40J-W* | / | / | / | / | / | / | / | / | / | / |
| ●CCFJ48J-W* | / | / | / | / | / | / | / | / | / | / |
| ●CCFJ50J-W* | / | / | / | / | / | / | / | / | / | / |

| 型号 Model | 外形尺寸 Overall dimension | | | A | A1 | N | W1 | R | D | 净重 Weight |
|--------------|---------------------------|---------|---------|-----|-----|---|-----|----|----|--------------|
| | L mm | W mm | H mm | | | | | | | |
| CCFJ24J-W* | 1350 | 620 | 1231 | 100 | 600 | 2 | 550 | 6 | 19 | 760 |
| CCFJ30J-W* | 1350 | 620 | 1231 | 100 | 600 | 2 | 550 | 6 | 19 | 810 |
| CCFJ40J-W* | 1663 | 620 | 1242 | 240 | 600 | 2 | 550 | 6 | 19 | 970 |
| ★CCFJ40J-W* | 1663 | 620 | 1242 | 240 | 600 | 2 | 550 | 6 | 19 | 970 |
| CCFJ50J-W* | 1663 | 620 | 1242 | 240 | 600 | 2 | 550 | 6 | 19 | 1000 |
| ★CCFJ50J-W* | 1663 | 620 | 1242 | 240 | 600 | 2 | 550 | 6 | 19 | 1000 |
| CCFJ64J-W* | 2078 | 798 | 1336 | 240 | 800 | 2 | 742 | 6 | 19 | 1100 |
| ★CCFJ64J-W* | 1804 | 798 | 1300 | 350 | 600 | 2 | 698 | 4 | 19 | 1050 |
| ★CCFJ64J-W* | 2092 | 798 | 1253 | 222 | 800 | 2 | 742 | 6 | 19 | 1200 |
| CCFJ75J-W* | 2078 | 798 | 1336 | 240 | 800 | 2 | 742 | 6 | 19 | 1150 |
| ★CCFJ75J-W* | 2092 | 798 | 1253 | 222 | 800 | 2 | 742 | 6 | 19 | 1200 |
| CCFJ90J-W* | 2038 | 798 | 1336 | 240 | 800 | 2 | 742 | 6 | 19 | 1360 |
| ★CCFJ90J-W* | 2212 | 798 | 1319 | 390 | 800 | 2 | 718 | 6 | 19 | 1420 |
| CCFJ100J-W* | 2038 | 798 | 1336 | 240 | 800 | 2 | 742 | 6 | 19 | 1380 |
| ★CCFJ100J-W* | 2212 | 798 | 1319 | 390 | 800 | 2 | 718 | 6 | 19 | 1420 |
| CCFJ120J-W* | 2108 | 798 | 1336 | 200 | 600 | 2 | 722 | 6 | 19 | 1450 |
| CCFJ120J-W* | 2390 | 918 | 1409 | 340 | 565 | 3 | 850 | 8 | 25 | 2140 |
| CCFJ150J-W* | 2390 | 918 | 1409 | 340 | 565 | 3 | 850 | 8 | 25 | 2180 |
| ★CCFJ150J-W* | 2390 | 918 | 1409 | 340 | 565 | 3 | 850 | 8 | 25 | 2180 |
| CCFJ180J-W* | 2540 | 918 | 1579 | 340 | 565 | 3 | 850 | 8 | 25 | 2260 |
| ★CCFJ180J-W* | 2540 | 918 | 1579 | 340 | 565 | 3 | 850 | 8 | 25 | 2260 |
| CCFJ200J-W* | 2540 | 918 | 1641 | 140 | 565 | 4 | 850 | 10 | 25 | 2435 |
| CCFJ200J-W*1 | 2540 | 918 | 1641 | 140 | 565 | 4 | 850 | 10 | 25 | 2435 |
| ★CCFJ200J-W* | 2540 | 918 | 1579 | 340 | 565 | 3 | 850 | 8 | 25 | 2350 |
| CCFJ220J-W* | 2670 | 918 | 1641 | 140 | 565 | 4 | 850 | 10 | 25 | 2435 |
| CCFJ250J-W* | 2508 | 918 | 1316 | 400 | 565 | 3 | 850 | 8 | 25 | 2685 |
| CCFJ260J-W* | 2508 | 918 | 1316 | 400 | 565 | 3 | 850 | 8 | 25 | 2685 |
| CCFJ280J-W* | 2598 | 918 | 1316 | 400 | 565 | 3 | 850 | 8 | 25 | 2700 |
| CCFJ300J-W* | 2598 | 918 | 1316 | 400 | 565 | 3 | 850 | 8 | 25 | 2880 |
| CCFJ280J-W* | 2885 | 1080 | 1754 | 400 | 565 | 3 | 850 | 8 | 27 | 3190 |
| CCFJ300J-W* | 2885 | 1080 | 1754 | 400 | 565 | 3 | 850 | 8 | 27 | 3290 |
| CCFJ320J-W* | 2885 | 1080 | 1754 | 400 | 565 | 3 | 850 | 8 | 27 | 3390 |
| CCFJ350J-W* | 2793 | 1330 | 1737 | 400 | 565 | 3 | 850 | 8 | 27 | 4300 |
| CCFJ380J-W* | 2793 | 1330 | 1737 | 400 | 565 | 3 | 850 | 8 | 27 | 4500 |
| CCFJ400J-W* | 2885 | 1080 | 1754 | 400 | 565 | 3 | 850 | 8 | 27 | 3390 |
| CCFJ500J-W* | 3460 | 1330 | 1963 | 400 | 565 | 3 | 850 | 10 | 27 | 5500 |
| CCFJ550J-W* | 3460 | 1330 | 1963 | 400 | 565 | 3 | 850 | 10 | 27 | 5550 |
| CCFJ600J-W* | 3460 | 1330 | 1963 | 400 | 565 | 3 | 850 | 10 | 27 | 5800 |
| CCFJ650J-W* | 3460 | 1330 | 1963 | 400 | 565 | 3 | 850 | 10 | 27 | 6000 |
| CCFJ350J-W* | 3358 | 1146 | 1909 | 408 | 560 | 4 | 960 | 12 | 27 | 6800 |
| CCFJ400J-W* | 3696 | 1146 | 1909 | 408 | 560 | 4 | 960 | 12 | 27 | 7000 |
| CCFJ500J-W* | 4738 | 1146 | 1954 | 560 | 596 | 4 | 960 | 16 | 27 | 8400 |
| CCFJ600J-W* | 4838 | 1146 | 1954 | 560 | 596 | 4 | 960 | 16 | 27 | 8500 |

发电机组外形尺寸仅作为选型尺寸，设计尺寸以工厂所提供技术资料为准。
Gen-set appearance and installation dimensions for reference size, please in kind prevail.



船用中速发电机组 Marine Medium-speed Gen-sets

潍柴船用中速发电机组的转速为1000rpm，功率范围为200~1500kW。发电机组使用潍柴集团自主研发生产的中速发动机，可配套国内外知名品牌发电机。机组的制造、试验执行GB/T13032-2010《船用柴油发电机组通用技术条件》。

The speed of Weichai marine medium-speed Gen-sets is 1000r/min, the power range is 200-1500KW. The Gen-sets is used the medium-speed engine researched, developed & manufactured by Weichai Group independently, the optional brand name alternator can be provided. All Gen-sets' manufacturing & testing is carried out as per GB/T13032-2010 Marine Diesel Gen-sets General Technique Requirements.

产品特点 Product Characteristics

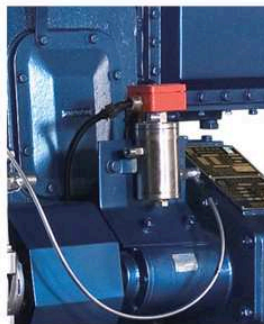
- 功率储备大，抗冲击载荷，适用于长时间变负荷工况；
 - 工作可靠，使用寿命长；
 - 机组可选配双层防护式高压油管，可配置燃油泄漏保护和报警功能；
 - 严格按船规要求设计，柴油机运转过程中无需停机即可更换柴油，方便维护保养；
 - 采用淡水冷却水套排气管结构。采用柴油机洁净的内循环水，提高排气管的可靠性和使用寿命，降低排温，提高柴油机效率；
 - 船用监控仪操作简单、性能可靠。即可对机组转速、油压、水温等参数进行显示和保护，又可对发电机组进行控制和操作。
- Large power reserve, resist impact load, suitable for variable load conditions of long time.
 - Reliable operation, long service life.
 - Gen-sets could be configured with double-layer protective high-pressure fuel pipe and provided with the function of fuel leakage protection and alarm.
 - Strictly designed according to the requirements of ship working regulation, without stopping engine to replace fuel make maintenance and service convenient.
 - Adopt exhaust pipe structure of fresh water cooling jacket. Use internal clean recycled water in diesel engines to improve the reliability and service life of the exhaust pipe, exhaust temperature and enhancing engine efficiency.
 - Easy to operate marine instrument box and its performance is reliable. Not only display and protect the parameters like Gen-sets speed, fuel pressure, water temperature, but also control and operate the Gen-sets.



仪表箱
Instrument box



柴油滤清器
Diesel filter



燃油泄漏报警器
Fuel leak alarm

中速系列产品200-1500kW

Medium-speed Series 200-1500kW



CCFJ200J-W*

柴油机品牌：潍柴动力
Engine Brand: Weichai Power
柴油机型号：R6160ZC
Engine Model: R6160ZC
额定功率：235 kW
Rated power: 235 kW
调速方式：电子调速
Speed mode: Electronic governor
最低燃油消耗率：197 g/kW.h
Minimum fuel consumption ratio: 197 g/kW.h
柴油机缸数：6
Engine no. of cylinder: 6
缸径×行程：160x225 mm
Bore x stroke: 160x225 mm
冷却方式：双循环水冷
Cooling method: Dual-circulate water-cooling



CCFJ300J-W*

柴油机品牌：潍柴动力
Engine Brand: Weichai Power
柴油机型号：X6170ZC-06
Engine Model: X6170ZC-06
额定功率：330 kW
Rated power: 330 kW
调速方式：机械调速
Speed mode: Mechanical governor
最低燃油消耗率：197 g/kW.h
Minimum fuel consumption ratio: 197 g/kW.h
柴油机缸数：6
Engine no. of cylinder: 6
缸径×行程：170x200 mm
Bore x stroke: 170x200 mm
冷却方式：双循环水冷
Cooling method: Dual-circulate water-cooling



CCFJ500J-*Z

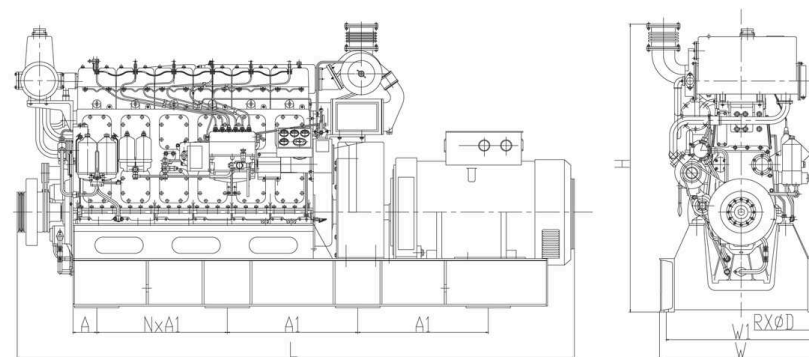
柴油机品牌：潍柴动力
Engine Brand: Weichai Power
柴油机型号：CW6200ZD
Engine Model: CW6200ZD
额定功率：600 kW
Rated power: 600 kW
调速方式：液压调速
Speed mode: Hydraulic governor
最低燃油消耗率：205g/kW.h
Minimum fuel consumption ratio: 205 g/kW.h
柴油机缸数：6
Engine no. of cylinder: 6
缸径×行程：200x270 mm
Bore x stroke: 200x270 mm
冷却方式：双循环水冷
Cooling method: Dual-circulate water-cooling
燃油类型：轻柴油、重油
Fuel model: Fuel, Heavy fuel

船用中速发电机组型谱 Model lists of Marine Medium-speed Gen-sets

| 额定功率 Rated power | 机组型号 Model | 额定电压 Rated current | 额定电流 Rated current | 额定负载 燃油耗 Rated fuel consumption ratio | 发动机 Engine | | | | | | |
|---------------------|---------------|-----------------------|-----------------------|--|---------------|---------------------|---------------------|------------------------|----------------------|--------------------|----------------------|
| | | | | | 型号 Model | 额定功率 Rated power | 额定转速 Rated speed | 缸数 Cylinder numbers | 缸径*行程 Bore*stroke | 排量 Displacement | 机油容量 Oil capacity |
| kW | | V | A | L/h | | kW | r/min | | mm | L | L |
| 200 | CCFJ200J-W* | 400/230 | 361 | 47 | R6160ZC | 235 | 1000 | 6 | 160/225 | 27.14 | 135 |
| 250 | CCFJ250J-W* | 400/230 | 451 | 58 | X6160Z-1 | 280 | 1000 | 6 | 160/225 | 27.14 | 135 |
| 300 | CCFJ300J-W* | 400/230 | 541 | 70.5 | X6170ZC-06 | 330 | 1000 | 6 | 170/200 | 27.24 | 65 |
| 400 | CCFJ400J-W* | 400/230 | 722 | 94.1 | 8170ZC | 441 | 1000 | 8 | 170/200 | 36.32 | 80 |
| 450 | CCFJ450J-W* | 400/230 | 810 | 106.5 | CW6200ZD | 540 | 1000 | 6 | 200/270 | 50.893 | 141 |
| 500 | CCFJ500J-W* | 400/230 | 902 | 117.5 | CW6200ZD | 600 | 1000 | 6 | 200/270 | 50.893 | 141 |
| 600 | CCFJ600J-W* | 400/230 | 1082 | 141.1 | XCW6200ZD-1 | 720 | 1000 | 6 | 200/270 | 50.893 | 141 |
| 700 | CCFJ700J-W* | 400/230 | 1263 | 164.5 | CW8200ZD | 800 | 1000 | 8 | 200/270 | 67.858 | 185 |
| 800 | CCFJ800J-W* | 400/230 | 1443 | 188.1 | XCW8200ZD-1 | 960 | 1000 | 8 | 200/270 | 67.858 | 185 |
| 900 | CCFJ900J-W* | 400/230 | 1620 | 212.5 | XCW8200ZD-10 | 1030 | 1000 | 8 | 200/270 | 67.858 | 185 |
| 960 | CCFJ960J-W* | 400/230 | 1728 | 226.5 | XCW8200ZD-2 | 1104 | 1000 | 8 | 200/270 | 67.858 | 185 |
| 1000 | CCFJ1000J-W* | 400/230 | 1804 | 235.1 | CW12V200ZD | 1200 | 1000 | 12 | 200/270 | 101.788 | 310 |
| 1250 | CCFJ1250J-W* | 400/230 | 2165 | 282.1 | XCW12V200ZD-1 | 1440 | 1000 | 12 | 200/270 | 101.788 | 310 |
| 1500 | CCFJ1500J-W* | 400/230 | 2706 | 352.5 | CW16V200ZD | 1760 | 1000 | 16 | 200/270 | 135.716 | 365 |

*为电机代号，本表所列的船用发电机组为50Hz/1000rpm（根据客户要求，可提供60Hz船用发电机组）。
* Alternator code, the frequency of generating set listed in this table is 50Hz(60Hz generating sets could be provided on request).

船用中速发电机组外形尺寸图 Overall dimensions of Marine Medium-speed Gen-sets



| 型号 Model | 外形尺寸 Overall dimension | | | A | A1 | N | W1 | R | D | 净重 Weight |
|--------------|---------------------------|---------|---------|-----|-----|---|------|----|----|--------------|
| | L mm | W mm | H mm | mm | mm | | mm | | mm | kg |
| CCFJ200J-W* | 3441 | 1100 | 1950 | 160 | 880 | 4 | 1010 | 8 | 30 | 5200 |
| CCFJ250J-W* | 3408 | 1146 | 1909 | 596 | 408 | 4 | 960 | 12 | 27 | 6800 |
| CCFJ300J-W* | 3919 | 1100 | 1950 | 160 | 880 | 4 | 1010 | 8 | 30 | 5500 |
| CCFJ400J-W* | 4538 | 1146 | 1954 | 596 | 560 | 4 | 960 | 16 | 27 | 8200 |
| CCFJ450J-W* | 4550 | 1800 | 2450 | 260 | 628 | 6 | 1784 | 14 | 27 | 11500 |
| CCFJ500J-W* | 4550 | 1800 | 2450 | 260 | 628 | 6 | 1784 | 14 | 27 | 11500 |
| CCFJ600J-W* | 4600 | 1800 | 2450 | 260 | 628 | 6 | 1784 | 14 | 27 | 12000 |
| CCFJ700J-W* | 5170 | 1800 | 2450 | 260 | 628 | 7 | 1784 | 16 | 27 | 13800 |
| CCFJ800J-W* | 5170 | 1800 | 2450 | 260 | 628 | 7 | 1784 | 16 | 27 | 14000 |
| CCFJ900J-W* | 5800 | 2000 | 2500 | 260 | 628 | 7 | 1784 | 16 | 27 | 14000 |
| CCFJ960J-W* | 5800 | 2000 | 2500 | 260 | 700 | 7 | 1784 | 16 | 27 | 14000 |
| CCFJ1000J-W* | 5400 | 1900 | 3000 | 260 | 700 | 7 | 1784 | 16 | 27 | 19500 |
| CCFJ1250J-W* | 5520 | 1900 | 3000 | 260 | 700 | 6 | 1784 | 16 | 27 | 20000 |
| CCFJ1500J-W* | 6500 | 1900 | 3000 | 260 | 700 | 8 | 1784 | 18 | 27 | 25000 |

发电机组外形尺寸仅作为选型尺寸，设计尺寸以工厂所提供技术资料为准。
Gen-set appearance and installation dimensions for reference size, please in kind prevail.



船用应急发电机组 Marine Emergency Gen-sets

潍柴船用应急柴油发电机组功率范围为30~250kW。发电机组使用潍柴集团自主研发生产的发动机，可配套国内外知名品牌发电机。机组的制造、试验执行GB/T13032-2010《船用柴油发电机组通用技术条件》。

The power range of Weichai marine Emergency Gen-sets is 30-250kW. The Gen-sets is used the engine researched, developed & manufactured by Weichai Group independently, the optional brand name alternator can be provided. All Gen-sets' manufacturing & testing is carried out as per GB/T13032-2010 Marine Diesel Gen-sets General Technique Requirements.

产品特点 Product Characteristics

- 外形美观，结构紧凑，具有良好的动力性及可靠性、零件通用性高、易于更换、维修方便；
- 采用复合式镀铬减振器，机组振动小，噪音低；
- 柴油机旋转部件处均安装防护罩，操作安全可靠；
- 全面满足国际排放法规，可达IMO II阶段排放要求；
- 船用应急仪表盘性能可靠，可实现自启动功能。当机组在自动状态时，机组检测到主电源故障，机组自动完成下列动作：启动、升速、发出合闸信号，从机组检测到主电源故障信号到输出合闸信号的时间不大于45秒。机组检测到主电源恢复正常后，机组自动完成下列动作：发出分闸信号、降速、冷机运转120秒后停机。同时可对机组转速、油压、水温等参数进行显示和报警保护；
- 应急机组采用双能源启动，启动迅速可靠，标配电启动马达和气启动马达，可选用弹簧启动马达。

- Good appearance, compact structure, strong power, high reliability and parts generality, easy to replace and convenient to service.
- Use complex type of chromium plating shock absorber to lead to the small vibration and low noise of gen-sets.
- The rotating parts of the engine are equipped with hood, which safeguards the operations.
- Gen-sets meet the international emission standards and the requirement of the IMO II stage.
- Marine emergency instrument boxes show reliable performance. The function of self-starting can be realized. In automatic state, once gen-sets detect the fault of main power, they automatically conduct the following actions: starting, raising speed, sending switching signals, and the time from the gen-sets detecting the fault to sending switching signal is not more than 45 seconds. When gen-sets detect that the main power returns to normal, they automatically conduct the following actions: sending tripping signals, decelerating, cold machine running for 120 seconds and then halt. At the same time some parameters of speed, oil pressure and water temperature can be displayed and gen-sets can achieve alarm protection.
- Emergency gen-sets use bi-motors start, starting fast and reliably, electric starting motor and gas starting motor both as the standard configuration, spring starting motor as the optional configuration.

应急系列产品30—250kW

Emergency Series 30-250kW



CCFJ75Y-W*

柴油机品牌：潍柴动力
Engine Brand: Weichai Power
柴油机型号：WP6CD90-15
Engine Model: WP6CD90-15
额定功率：90 kW
Rated power: 90 kW
调速方式：电子调速
Speed mode: Electronic governor
最低燃油消耗率：197 g/kW.h
Minimum fuel consumption ratio: 197 g/kW.h
柴油机缸数：6
Engine no. of cylinder: 6
缸径×行程：105×130 mm
Bore x stroke: 105 x 130 mm
冷却方式：闭式冷却
Cooling method: Close-cooling



CCFJ120Y-W*

柴油机品牌：潍柴动力
Engine Brand: Weichai Power
柴油机型号：WP6CD132E10
Engine Model: WP6CD132E10
额定功率：132 kW
Rated power: 132 kW
调速方式：电子调速
Speed mode: Electronic governor
最低燃油消耗率：197 g/kW.h
Minimum fuel consumption ratio: 197 g/kW.h
柴油机缸数：6
Engine no. of cylinder: 6
缸径×行程：105×130 mm
Bore x stroke: 105 x 130 mm
冷却方式：闭式冷却
Cooling method: Close-cooling



CCFJ250Y-W*

柴油机品牌：潍柴动力
Engine Brand: Weichai Power
柴油机型号：WD12CD288E10
Engine Model: WD12CD288E10
额定功率：288 kW
Rated power: 288 kW
调速方式：电子调速
Speed mode: Electronic governor
最低燃油消耗率：197 g/kW.h
Minimum fuel consumption ratio: 197 g/kW.h
柴油机缸数：6
Engine no. of cylinder: 6
缸径×行程：126×155 mm
Bore x stroke: 126 x 155 mm
冷却方式：闭式冷却
Cooling method: Close-cooling

船用应急发电机组型谱

Model lists of Marine Emergency Gen-sets

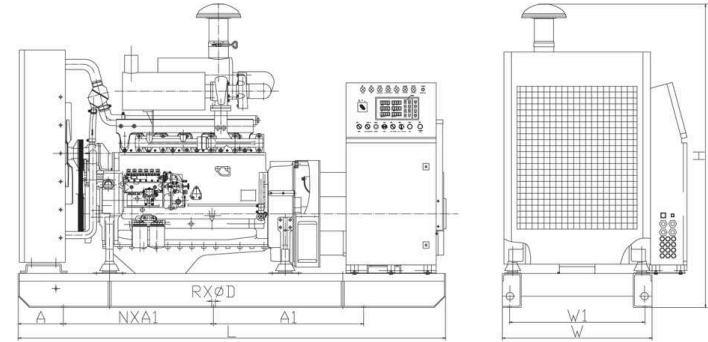
| 额定功率 Rated power | 机组型号 Model | 额定电压 Rated current | 额定电流 Rated current | 额定负载 燃油耗 Rated fuel consumption ratio | 发动机 Engine | | | | | | |
|---------------------|---------------|-----------------------|-----------------------|--|---------------|---------------------|---------------------|-----------------|----------------------|--------------------|----------------------|
| | | | | | 型号 Model | 额定功率 Rated power | 额定转速 Rated speed | 缸数 Cylinders | 缸径*行程 Bore*stroke | 排量 Displacement | 机油容量 Oil capacity |
| kW | | V | A | L/h | | kW | r/min | | mm | L | L |
| 30 | CCFJ30Y-W* | 400/230 | 54 | 6.8 | TD226B-4CD | 40 | 1500 | 4 | 105/120 | 4.16 | 9 |
| 40 | CCFJ40Y-W* | 400/230 | 72 | 9.2 | TD226B-4CD | 60 | 1500 | 4 | 105/120 | 4.16 | 9 |
| 40 | *CCFJ40Y-W* | 400/230 | 72 | 9.0 | WP4CD60-15 | 60 | 1500 | 4 | 105/130 | 4.5 | 13 |
| 50 | CCFJ50Y-W* | 400/230 | 90 | 11.5 | TD226B-4CD | 60 | 1500 | 4 | 105/120 | 4.16 | 9 |
| 50 | *CCFJ50Y-W* | 400/230 | 90 | 11.2 | WP4CD60-15 | 60 | 1500 | 4 | 105/130 | 4.5 | 13 |
| 64 | CCFJ64Y-W* | 400/230 | 115 | 14.8 | TD226B-6CD | 90 | 1500 | 6 | 105/120 | 6.23 | 13 |
| 64 | *CCFJ64Y-W* | 400/230 | 115 | 14.5 | WP4CD75-15 | 75 | 1500 | 4 | 105/130 | 4.5 | 13 |
| 64 | *CCFJ64Y-W* | 400/230 | 115 | 14.8 | WP6CD90-15 | 90 | 1500 | 6 | 105/130 | 6.75 | 20 |
| 75 | CCFJ75Y-W* | 400/230 | 135 | 17.3 | TD226B-6CD | 90 | 1500 | 6 | 105/120 | 6.23 | 13 |
| 75 | *CCFJ75Y-W* | 400/230 | 135 | 17 | WP6CD90-15 | 90 | 1500 | 6 | 105/130 | 6.75 | 20 |
| 90 | CCFJ90Y-W* | 400/230 | 163 | 20.8 | TBD226B-6CD1 | 120 | 1500 | 6 | 105/120 | 6.23 | 13 |
| 90 | *CCFJ90Y-W* | 400/230 | 163 | 20.5 | WP6CD120-15 | 120 | 1500 | 6 | 105/130 | 6.75 | 20 |
| 100 | CCFJ100Y-W* | 400/230 | 181 | 23.2 | TBD226B-6CD1 | 120 | 1500 | 6 | 105/120 | 6.23 | 13 |
| 100 | *CCFJ100Y-W* | 400/230 | 181 | 23 | WP6CD120-15 | 120 | 1500 | 6 | 105/130 | 6.75 | 20 |
| 120 | CCFJ120Y-W* | 400/230 | 217 | 27.8 | WP6CD132E10 | 132 | 1500 | 6 | 105/120 | 6.23 | 13 |
| 150 | CCFJ150Y-W* | 400/230 | 271 | 34.8 | WD615.46CD | 204 | 1500 | 6 | 126X130 | 9.726 | 19 |
| 180 | CCFJ180Y-W* | 400/230 | 325 | 41.8 | WD615.46CD | 204 | 1500 | 6 | 126X130 | 9.726 | 19 |
| 200 | CCFJ200Y-W* | 400/230 | 361 | 46.3 | WP12CD235E201 | 255 | 1500 | 6 | 126X155 | 11.596 | 23 |
| 220 | CCFJ220Y-W* | 400/230 | 397 | 51 | WP12CD255E201 | 255 | 1500 | 6 | 126X155 | 11.596 | 23 |
| 250 | ●CCFJ250Y-W* | 400/230 | 451 | 58 | WP12CD288E200 | 288 | 1500 | 6 | 126X155 | 11.596 | 23 |

*为电机代号, 本表所列的船用发电机组为50Hz/1500rpm (根据客户要求, 可提供60Hz船用发电机组); *为同功率中主推产品, 2013年将全部切换成该型号, 建议设计单位在预选型时选用此款产品; ●为开发中新产品。

* Alternator code, the frequency of generating set listed in this table is 50Hz(60Hz generating sets could be provided on request); * indicates the recommended model among the same power ones, all of which shall be switched to the recommended model in 2013. weichai suggests that the designing unit Choose this model. ● indicates the products being developed.

船用应急发电机组外形尺寸图

Overall dimensions of Marine Emergency Gen-sets



| 型号 Model | 外形尺寸 Overall dimension | | | A mm | A1 mm | N | W1 mm | R | D | 净重 Weight Kg |
|--------------|---------------------------|---------|---------|---------|----------|---|----------|----|----|--------------------|
| | L mm | W mm | H mm | | | | | | | |
| CCFJ30Y-W* | 1871 | 620 | 1546 | 247 | 700 | 2 | 550 | 6 | 19 | 91 |
| CCFJ40Y-W* | 1818 | 620 | 1546 | 300 | 700 | 2 | 550 | 6 | 19 | 925 |
| *CCFJ40Y-W* | 1818 | 620 | 1546 | 300 | 700 | 2 | 550 | 6 | 19 | 925 |
| CCFJ50Y-W* | 1818 | 620 | 1546 | 300 | 700 | 2 | 550 | 6 | 19 | 925 |
| *CCFJ50Y-W* | 1818 | 620 | 1546 | 300 | 700 | 2 | 550 | 6 | 19 | 925 |
| CCFJ64Y-W* | 2219 | 798 | 1575 | 240 | 600 | 2 | 722 | 8 | 19 | 1450 |
| *CCFJ64Y-W* | 2124 | 798 | 1326 | 350 | 600 | 2 | 698 | 6 | 19 | 1300 |
| *CCFJ64Y-W* | 2219 | 798 | 1575 | 240 | 600 | 2 | 722 | 8 | 19 | 1450 |
| CCFJ75Y-W* | 2219 | 798 | 1575 | 240 | 600 | 2 | 722 | 8 | 19 | 1450 |
| *CCFJ75Y-W* | 2219 | 798 | 1575 | 240 | 600 | 2 | 722 | 8 | 19 | 1450 |
| CCFJ90Y-W* | 2480 | 798 | 1627 | 300 | 600 | 2 | 722 | 8 | 19 | 1550 |
| *CCFJ90Y-W* | 2480 | 798 | 1627 | 300 | 600 | 2 | 722 | 8 | 19 | 1550 |
| CCFJ100Y-W* | 2480 | 798 | 1627 | 300 | 600 | 2 | 722 | 8 | 19 | 1550 |
| *CCFJ100Y-W* | 2480 | 798 | 1627 | 300 | 600 | 2 | 722 | 8 | 19 | 1550 |
| CCFJ120Y-W* | 2480 | 798 | 1627 | 300 | 600 | 2 | 722 | 8 | 19 | 1600 |
| CCFJ150Y-W* | 2687 | 918 | 1799 | 200 | 565 | 4 | 850 | 10 | 25 | 2180 |
| CCFJ180Y-W* | 2913 | 918 | 1799 | 280 | 565 | 4 | 850 | 10 | 25 | 2260 |
| CCFJ200Y-W* | 2898 | 918 | 1522 | 280 | 565 | 4 | 850 | 10 | 25 | 2435 |
| CCFJ220Y-W* | 3028 | 918 | 1522 | 280 | 565 | 4 | 850 | 10 | 25 | 2435 |
| ●CCFJ250Y-W* | 3028 | 918 | 1522 | 280 | 565 | 4 | 850 | 10 | 25 | 2565 |

发电机组外形尺寸仅作为选型尺寸, 设计尺寸以工厂所提供技术资料为准。

Gen-set appearance and installation dimensions for reference size, please in kind prevail.